

4-Pin Reset Monitors

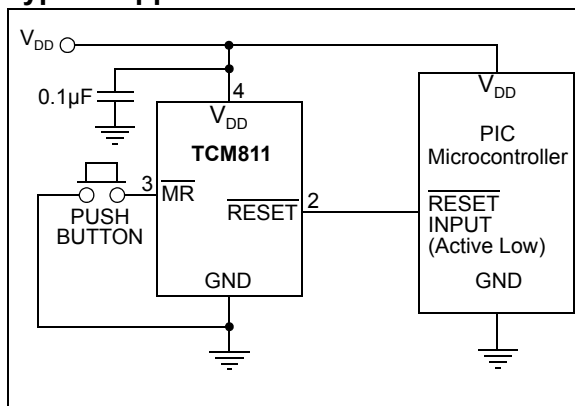
Features

- Precision V_{DD} Monitor for 2.0V, 2.8V, 3.0V, 3.3V, 5.0V Nominal Supplies
- Manual Reset Input
- 140 ms Minimum RESET Output Duration
- $\overline{\text{RESET}}$ Output Valid to $V_{DD} = 1.0\text{V}$ (TCM811)
- Low 6 μA (typ.) Supply Current
- V_{DD} Transient Immunity
- Small 4-Pin SOT-143 Package
- No External Components
- Replacement for MAX811/812 and Offers a Lower Threshold Voltage Option
- Push-Pull RESET Output
- Temperature Range:
 - Commercial (C) -40°C to $+85^{\circ}\text{C}$

Applications

- Computers
- Embedded Systems
- Battery Powered Equipment
- Critical Microcontroller Power Supply Monitoring

Typical Application Circuit



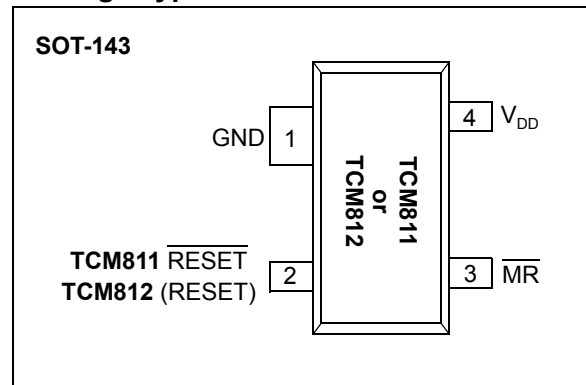
General Description

The TCM811 and TCM812 are cost effective system supervisory circuits designed to monitor V_{DD} in digital systems and provide a reset signal to the host controller when necessary. A manual reset input is provided to override the reset monitor and is suitable for use as a push-button reset. No external components are required.

The reset output is driven active within 20 μs (5 μs for F version) of V_{DD} falling through the reset voltage threshold. RESET is maintained active for a minimum of 140 ms after V_{DD} rises above the reset threshold. The TCM812 has an active high RESET output while the TCM811 has an active low $\overline{\text{RESET}}$ output. The output of the TCM811 is valid down to $V_{DD} = 1\text{V}$. Both devices are available in a 4-Pin SOT-143 package, specified with a temperature range of -40°C to $+85^{\circ}\text{C}$.

The TCM811/TCM812 are optimized to reject fast transient glitches on the V_{DD} line. A low supply current of 6 μA ($V_{DD} = 3.3\text{V}$) makes these devices ideal for battery powered applications.

Package Types:



TCM811/TCM812

1.0 ELECTRICAL CHARACTERISTICS

ABSOLUTE MAXIMUM RATINGS*

Supply Voltage (V_{DD} to GND).....	+6.0V
$\overline{\text{RESET}}$, $\overline{\text{RESET}}$	- 0.3V to (V_{DD} + 0.3V)
Input Current, V_{DD}	20 mA
Output Current, $\overline{\text{RESET}}$, $\overline{\text{RESET}}$	20 mA
Operating Temperature Range.....	- 40°C to +85°C
Storage Temperature Range.....	- 65°C to +150°C
Maximum Junction Temperature, T_J	150°C

***Notice:** Stresses beyond those listed under "Absolute Maximum Ratings" may cause permanent damage to the device. These are stress ratings only, and functional operation of the device at these or any other conditions beyond those indicated in the operational sections of the specifications is not implied. Exposure to absolute maximum rating conditions for extended periods may affect device reliability.

ELECTRICAL CHARACTERISTICS

$V_{DD} = 5V$ for L/M versions, $V_{DD} = 3.3V$ for T/S versions, $V_{DD} = 3V$ for R version, $V_{DD} = 2.0V$ for F version. Unless otherwise noted, $T_A = -40^\circ\text{C}$ to $+85^\circ\text{C}$. Typical values are at $T_A = +25^\circ\text{C}$. (Note 1)						
Parameters	Sym	Min	Typ	Max	Units	Conditions
V_{DD} Range	V_{DD}	1.0 1.1	— —	5.5 5.5	V	TCM811 TCM812
Supply Current	I_{CC}	—	6	15	μA	TCM81_L/M, $V_{DD} = 5.5V$, $I_{OUT} = 0$
		—	4.75	10	μA	TCM81_R/S/T/F, $V_{DD} = 3.6V$, $I_{OUT} = 0$
Reset Threshold	V_{TH}	4.54 4.50	4.63 —	4.72 4.75	V V	TCM81_L: $T_A = +25^\circ\text{C}$ $T_A = -40^\circ\text{C}$ to $+85^\circ\text{C}$
		4.30 4.25	4.38 —	4.46 4.50	V V	TCM81_M: $T_A = +25^\circ\text{C}$ $T_A = -40^\circ\text{C}$ to $+85^\circ\text{C}$
		3.03 3.00	3.08 —	3.14 3.15	V V	TCM81_T: $T_A = +25^\circ\text{C}$ $T_A = -40^\circ\text{C}$ to $+85^\circ\text{C}$
		2.88 2.85	2.93 —	2.98 3.00	V V	TCM81_S: $T_A = +25^\circ\text{C}$ $T_A = -40^\circ\text{C}$ to $+85^\circ\text{C}$
		2.58 2.55	2.63 —	2.68 2.70	V V	TCM81_R: $T_A = +25^\circ\text{C}$ $T_A = -40^\circ\text{C}$ to $+85^\circ\text{C}$
		1.71 1.70	1.75 —	1.79 1.80	V V	TCM81_F: $T_A = +25^\circ\text{C}$ $T_A = -40^\circ\text{C}$ to $+85^\circ\text{C}$
		Reset Threshold Tempco		—	30	—
V_{DD} to Reset Delay		—	20	—	μs	$V_{DD} = V_{TH}$ to $V_{TH} - 125\text{ mV}$; TCM81_L/M
		—	5	—	μs	$V_{DD} = V_{TH}$ to $V_{TH} - 125\text{ mV}$; TCM81_R/S/T/F
Reset Active Timeout Period	t_{RP}	140	280	560	ms	$V_{DD} = V_{TH(MAX)}$
$\overline{\text{MR}}$ Minimum Pulse Width	t_{MR}	10	—	—	μs	
$\overline{\text{MR}}$ Glitch Immunity		—	100	—	ns	
$\overline{\text{MR}}$ to Reset Propagation Delay	t_{MD}	—	0.5	—	μs	

Note 1: Production testing done at $T_A = +25^\circ\text{C}$ and $+85^\circ\text{C}$, overtemperature limits are tested with periodic QA tests in production.

TCM811/TCM812

$V_{DD} = 5V$ for L/M versions, $V_{DD} = 3.3V$ for T/S versions, $V_{DD} = 3V$ for R version, $V_{DD} = 2.0V$ for F version. Unless otherwise noted, $T_A = -40^{\circ}C$ to $+85^{\circ}C$. Typical values are at $T_A = +25^{\circ}C$. (**Note 1**)

Parameters	Sym	Min	Typ	Max	Units	Conditions
MR Input Threshold	V_{IH}	2.3	—	—	V	$V_{DD} > V_{TH(MAX)}$, TCM81_L/M
		$0.7 V_{DD}$	—	—	V	$V_{DD} > V_{TH(MAX)}$, TCM81_R/S/T/F
	V_{IL}	—	—	0.8	V	$V_{DD} > V_{TH(MAX)}$, TCM81_L/M
		—	—	$0.25 V_{DD}$	V	$V_{DD} > V_{TH(MAX)}$, TCM81_R/S/T/F
MR Pull-up Resistance		10	20	40	k Ω	
RESET Output Voltage Low (TCM811)	V_{OL}	—	—	0.3	V	TCM811R/S/T only; $I_{SINK} = 1.2\text{ mA}$, $V_{DD} = V_{TH(MIN)}$
		—	—	0.4	V	TCM811F only; $I_{SINK} = 500\ \mu A$, $V_{DD} = V_{TH(MIN)}$
		—	—	0.3	V	TCM811L/M only; $I_{SINK} = 3.2\text{ mA}$, $V_{DD} = V_{TH(MIN)}$ $I_{SINK} = 3.2\text{ mA}$, $V_{DD} = V_{TH(MIN)}$
RESET Output Voltage High (TCM811)	V_{OH}	$0.8 V_{DD}$	—	—	V	TCM811R/S/T/F only; $I_{SOURCE} = 500\ \mu A$, $V_{DD} > V_{TH(MAX)}$
		$V_{DD} - 1.5$	—	—	V	TCM811L/M only; $I_{SOURCE} = 800\ \mu A$, $V_{DD} > V_{TH(MAX)}$
RESET Output Voltage Low (TCM812)	V_{OL}	—	—	0.2	V	TCM812F only, $I_{SINK} = 500\ \mu A$, $V_{DD} = V_{TH(MAX)}$
		—	—	0.3	V	TCM812R/S/T only, $I_{SINK} = 1.2\text{ mA}$, $V_{DD} = V_{TH(MAX)}$
		—	—	0.4	V	TCM812L/M only, $I_{SINK} = 1.2\text{ mA}$, $V_{DD} = V_{TH(MAX)}$
RESET Output Voltage High (TCM812)	V_{OH}	$0.8 V_{DD}$	—	—	V	$I_{SOURCE} = 150\ \mu A$, $V_{DD} \leq V_{TH(MIN)}$

Note 1: Production testing done at $T_A = +25^{\circ}C$ and $+85^{\circ}C$, overtemperature limits are tested with periodic QA tests in production.

TCM811/TCM812

2.0 TYPICAL PERFORMANCE CHARACTERISTICS

Note: The graphs provided following this note are a statistical summary based on a limited number of samples and are provided for informational purposes only. The performance characteristics listed herein are not tested or guaranteed. In some graphs, the data presented may be outside the specified operating range (e.g., outside specified power supply range) and therefore outside the warranted range.

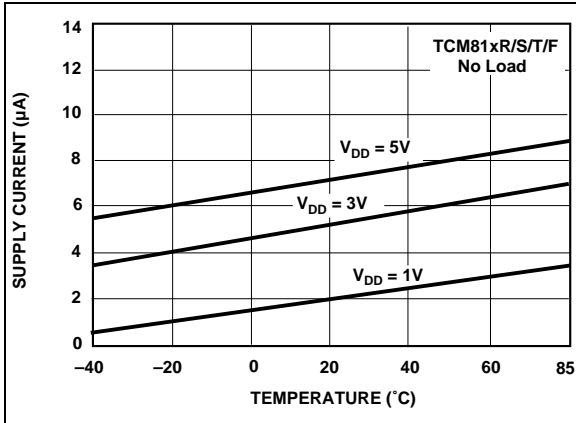


FIGURE 2-1: Supply Current vs. Temperature.

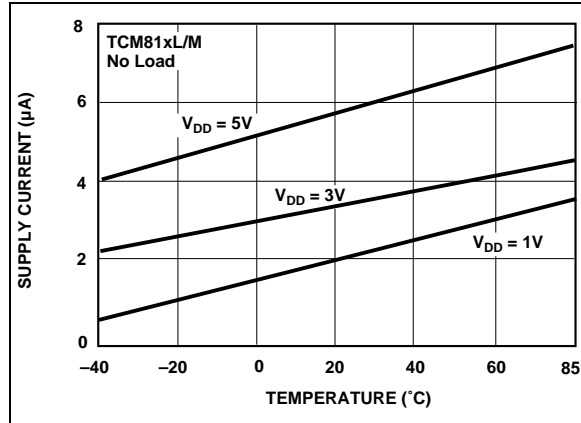


FIGURE 2-4: Supply Current vs. Temperature.

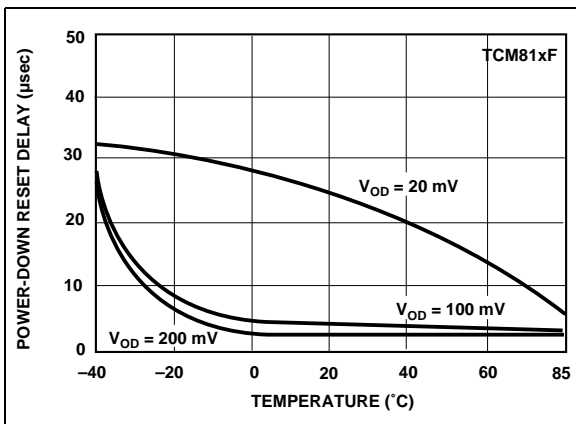


FIGURE 2-2: Power-Down Reset Delay vs. Temperature.

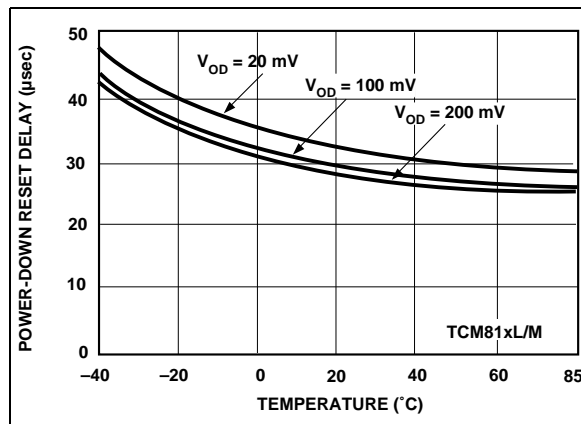


FIGURE 2-5: Power-Down Reset Delay vs. Temperature.

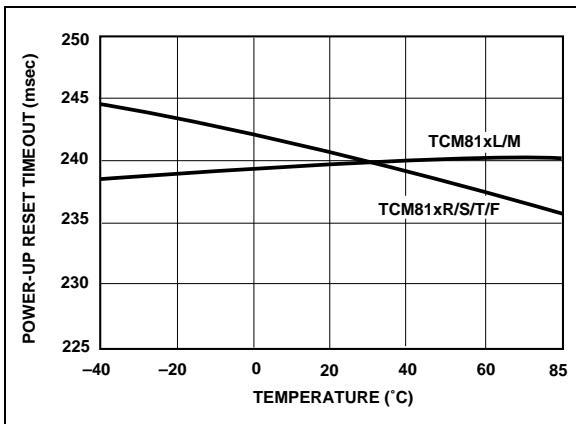


FIGURE 2-3: Power-Up Reset Timeout vs. Temperature.

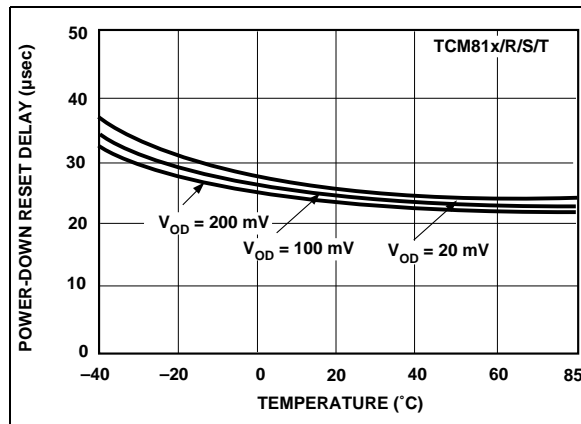


FIGURE 2-6: Power-Down Reset Delay vs. Temperature.

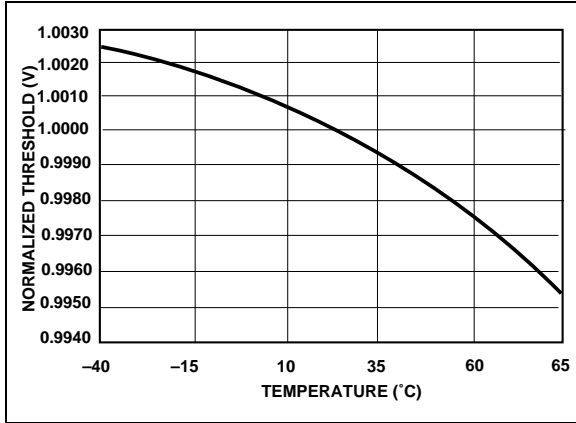


FIGURE 2-7: Normalized Reset Threshold vs. Temperature.

TCM811/TCM812

3.0 PIN DESCRIPTIONS

The descriptions of the pins are listed in [Table 3-1](#).

TABLE 3-1: PIN FUNCTION TABLE

Pin No.	Symbol	Description
1	GND	Ground
2	$\overline{\text{RESET}}$ (TCM811)	$\overline{\text{RESET}}$ push-pull output remains low while V_{DD} is below the reset voltage threshold, and for at least 140 ms (min.) after V_{DD} rises above reset threshold
2	RESET (TCM812)	Reset push-pull output remains high while V_{DD} is below the reset voltage threshold, and for at least 140 ms (min.) after V_{DD} rises above reset threshold
3	$\overline{\text{MR}}$	Manual Reset input generates a Reset when $\overline{\text{MR}}$ is below V_{IL}
4	V_{DD}	Supply voltage

3.1 Ground Terminal (GND)

GND provides the negative reference for the analog input voltage. Typically, the circuit ground is used.

3.2 Reset Output ($\overline{\text{RESET}}$) (TCM811)

$\overline{\text{RESET}}$ output remains low while V_{DD} is below the Reset voltage threshold (V_{TRIP}). Once the device voltage (V_{DD}) returns to a high level ($V_{TRIP} + V_{HYS}$), the device will remain in Reset for the Reset delay timer (T_{RST}). After that time expires, the $\overline{\text{RESET}}$ pin will be driven to the high state.

3.3 Reset Output (RESET) (TCM812)

RESET output remains high while V_{DD} is below the Reset voltage threshold (V_{TRIP}). Once the device voltage (V_{DD}) returns to a high level ($V_{TRIP} + V_{HYS}$), the device will remain in Reset for the Reset delay timer (T_{RST}). After that time expires, the RESET pin will be driven to the low state.

3.4 Manual Reset ($\overline{\text{MR}}$)

The Manual Reset ($\overline{\text{MR}}$) input pin allows a push button switch to easily be connected to the system. When the push button is depressed, it forces a system Reset. This pin has circuitry that filters noise that may be present on the MR signal.

The $\overline{\text{MR}}$ pin is active-low and has an internal pull-up resistor.

3.5 Supply Voltage (V_{DD})

V_{DD} can be used for power supply monitoring or a voltage level that requires monitoring.

4.0 APPLICATIONS INFORMATION

The TCM811/TCM812 provides accurate V_{DD} monitoring and reset timing during power-up, power-down, and brownout/sag conditions. These devices also reject negative-going transients (glitches) on the power supply line. Figure 4-1 shows the maximum transient duration vs. maximum negative excursion (overdrive) for glitch rejection. Any combination of duration and overdrive that is under the curve will not generate a reset signal. Combinations above the curve are detected as a brownout or power-down. Transient immunity can be improved by adding a 0.1 μF capacitor in close proximity to the V_{DD} pin of the TCM811/TCM812.

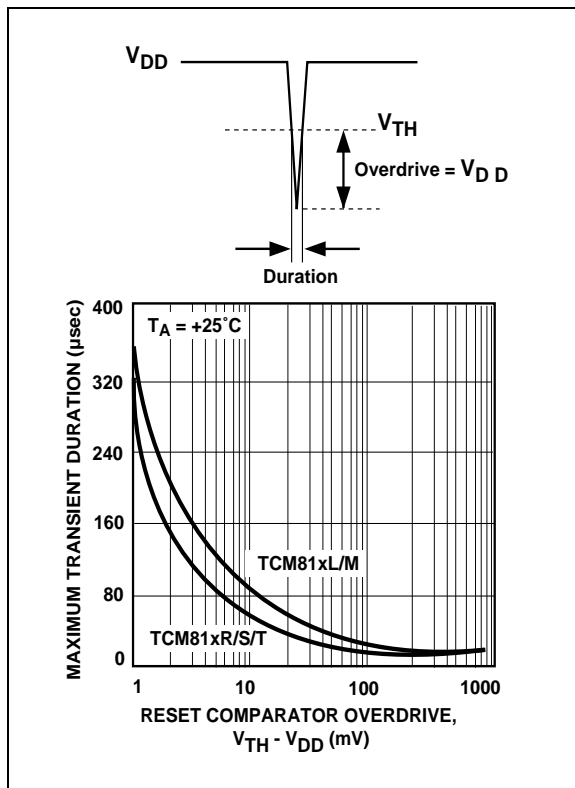


FIGURE 4-1: Maximum Transient Duration vs. Overdrive for Glitch Rejection at +25°C.

4.1 RESET Signal Integrity During Power-Down

The TCM811 $\overline{\text{RESET}}$ push-pull output is valid to $V_{DD} = 1.0\text{V}$. Below this voltage the output becomes an "open circuit" and does not sink current. This means CMOS logic inputs to the microcontroller will be floating at an undetermined voltage. Most digital systems are completely shutdown well above this voltage. However, in situations where $\overline{\text{RESET}}$ must be maintained valid to $V_{DD} = 0\text{V}$, a pull-down resistor must be connected from $\overline{\text{RESET}}$ to ground to discharge stray capacitances and hold the output low (Figure 4-2). This resistor value, though not critical, should be chosen

such that it does not appreciably load $\overline{\text{RESET}}$ under normal operation (100 k Ω will be suitable for most applications). Similarly, a pull-up resistor to V_{DD} is required for the TCM812 to ensure a valid high $\overline{\text{RESET}}$ for V_{DD} below 1.1V.

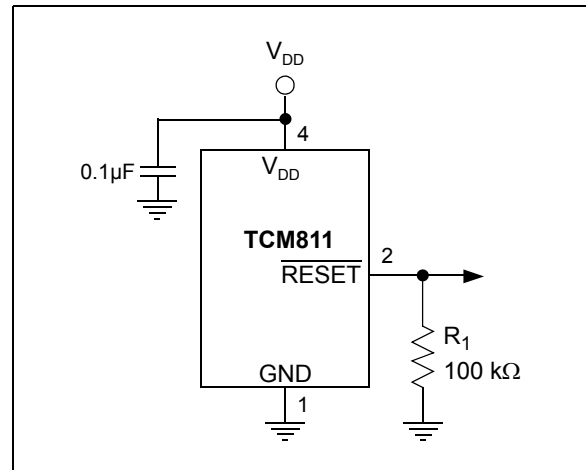


FIGURE 4-2: The addition of R_1 at the $\overline{\text{RESET}}$ output of the TCM811 ensures that the $\overline{\text{RESET}}$ output is valid to $V_{DD} = 0\text{V}$.

4.2 Controllers and Processors With Bidirectional I/O Pins

Some microcontrollers have bidirectional reset pins. Depending on the current drive capability of the controller pin, an indeterminate logic level may result if there is a logic conflict. This can be avoided by adding a 4.7 k Ω resistor in series with the output of the TCM811/TCM812 (Figure 4-3). If there are other components in the system which require a reset signal, they should be buffered so as not to load the reset line. If the other components are required to follow the reset I/O of the microcontroller, the buffer should be connected as shown with the solid line.

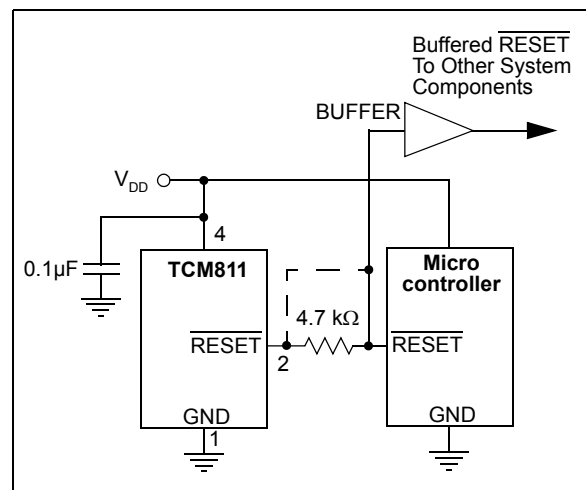
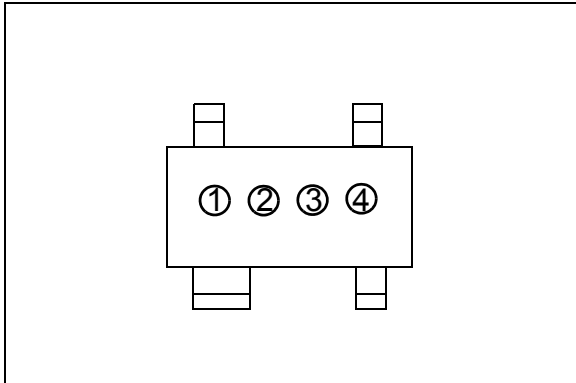


FIGURE 4-3: Interfacing the TCM811 to a Bidirectional Reset I/O.

TCM811/TCM812

5.0 PACKAGING INFORMATION

5.1 Package Marking Information



① & ② = part number code + reset threshold voltage (two-digit code)

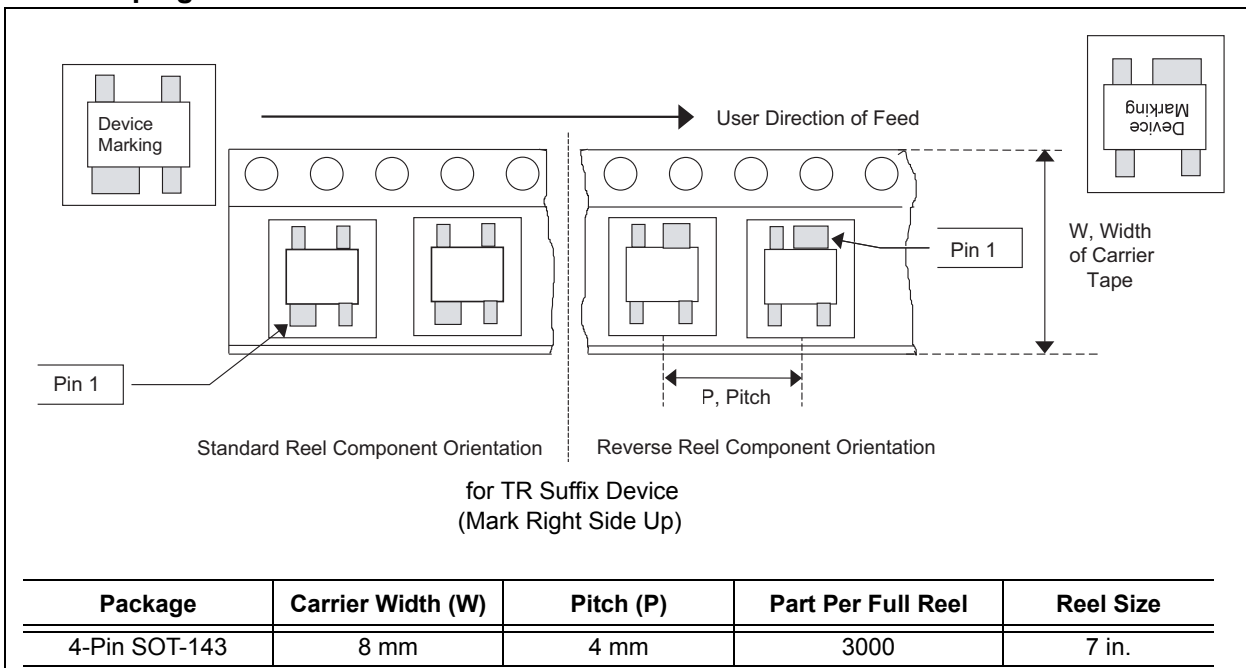
Part Number	(V)	TCM811 Code
TCM811LERCTR	4.63	U1
TCM811MERCTR	4.38	U2
TCM811TERCTR	3.08	U3
TCM811SERCTR	2.93	U4
TCM811RERCTR	2.63	U5
TCM811FERCTR	1.75	U7
Part Number	(V)	TCM812 Code
TCM812LERCTR	4.63	V1
TCM812MERCTR	4.38	V2
TCM812TERCTR	3.08	V3
TCM812SERCTR	2.93	V4
TCM812RERCTR	2.63	V5
TCM812FERCTR	1.75	V7

③ represents year and two-month period code

④ represents production lot ID code

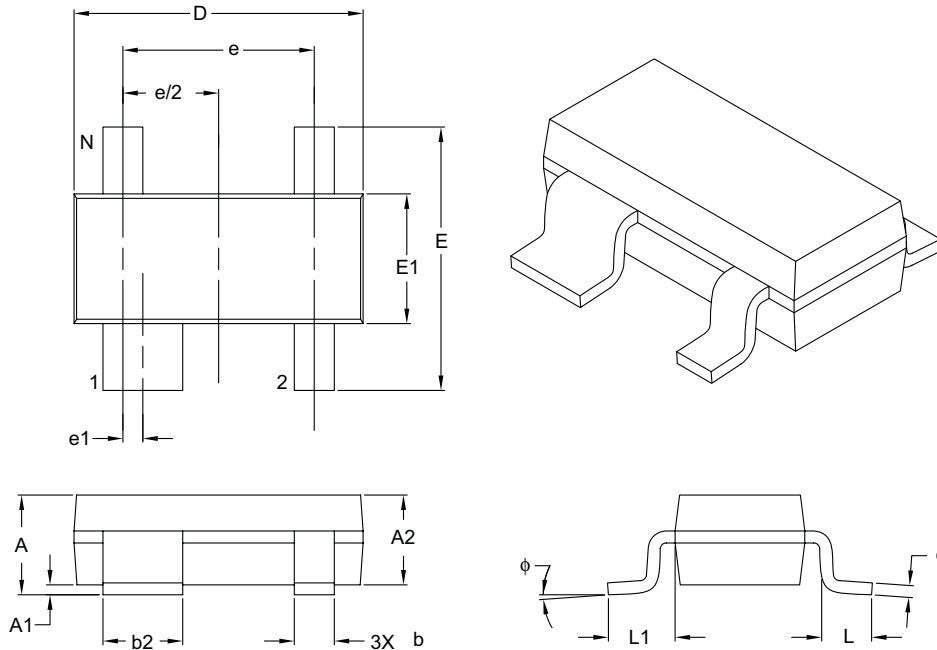
Note: In the event the full Microchip part number cannot be marked on one line, it will be carried over to the next line thus limiting the number of available characters for customer specific information.

5.2 Taping Form



4-Lead Plastic Small Outline Transistor (RC) [SOT-143]

Note: For the most current package drawings, please see the Microchip Packaging Specification located at <http://www.microchip.com/packaging>



Dimension Limits	Units	MILLIMETERS		
		MIN	NOM	MAX
Number of Pins	N	4		
Pitch	e	1.92 BSC		
Pin1 Offset	e1	0.20 BSC		
Overall Height	A	0.80	–	1.22
Molded Package Thickness	A2	0.75	0.90	1.07
Standoff §	A1	0.01	–	0.15
Overall Width	E	2.10	–	2.64
Molded Package Width	E1	1.20	1.30	1.40
Overall Length	D	2.67	2.90	3.05
Foot Length	L	0.13	0.50	0.60
Footprint	L1	0.54 REF		
Foot Angle	φ	0°	–	8°
Lead Thickness	c	0.08	–	0.20
Lead 1 Width	b1	0.76	–	0.94
Leads 2, 3 & 4 Width	b	0.30	–	0.54

Notes:

- § Significant Characteristic.
- Dimensions D and E1 do not include mold flash or protrusions. Mold flash or protrusions shall not exceed 0.25 mm per side.
- Dimensioning and tolerancing per ASME Y14.5M.
 - BSC: Basic Dimension. Theoretically exact value shown without tolerances.
 - REF: Reference Dimension, usually without tolerance, for information purposes only.

Microchip Technology Drawing C04-031B

TCM811/TCM812

NOTES:

APPENDIX A: REVISION HISTORY

Revision C (February 2007)

- **Section 5.0 “Packaging Information”:**
Corrected SOT-143 packaging information.
- **Section 3.0 “Pin Descriptions”:** Added pin descriptions.
- Added disclaimer on package outline drawing.
- Updated package outline drawing.
- **Section 1.0 “Electrical Characteristics”:** Reformatted Electrical Characteristics

Revision B (January 2002)

- Undocumented changes.

Revision A (October 2001)

- Original Release of this Document.

TCM811/TCM812

NOTES:

PRODUCT IDENTIFICATION SYSTEM

To order or obtain information, e.g., on pricing or delivery, refer to the factory or the listed sales office.

PART NO.	X	X	XXXX
Device	V _{DD} Reset Threshold	Temperature Range	Package
Device: Threshold Voltage: (typical) Temperature Range: Package:	TCM811: 4-Pin μ P Reset Monitor ($\overline{\text{RESET}}$ low) TCM812: 4-Pin μ P Reset Monitor (RESET high) L = 4.63V M = 4.38V T = 3.08V S = 2.93V R = 2.63V F = 1.75V E = -40°C to +85°C	E = -40°C to +85°C	RCTR = Plastic Small Outline Transistor (RC) SOT-143, 4 lead, (tape and reel).
Examples: a) TCM811LERCTR: 4.63V b) TCM811MERCTR: 4.38V c) TCM811TERCTR: 3.08V d) TCM811SERCTR: 2.93V e) TCM811RERCTR: 2.63V f) TCM811FERCTR: 1.75V a) TCM812LERCTR: 4.63V b) TCM812MERCTR: 4.38V c) TCM812TERCTR: 3.08V d) TCM812SERCTR: 2.93V e) TCM812RERCTR: 2.63V f) TCM812FERCTR: 1.75V			

TCM811/TCM812

NOTES:

Note the following details of the code protection feature on Microchip devices:

- Microchip products meet the specification contained in their particular Microchip Data Sheet.
- Microchip believes that its family of products is one of the most secure families of its kind on the market today, when used in the intended manner and under normal conditions.
- There are dishonest and possibly illegal methods used to breach the code protection feature. All of these methods, to our knowledge, require using the Microchip products in a manner outside the operating specifications contained in Microchip's Data Sheets. Most likely, the person doing so is engaged in theft of intellectual property.
- Microchip is willing to work with the customer who is concerned about the integrity of their code.
- Neither Microchip nor any other semiconductor manufacturer can guarantee the security of their code. Code protection does not mean that we are guaranteeing the product as “unbreakable.”

Code protection is constantly evolving. We at Microchip are committed to continuously improving the code protection features of our products. Attempts to break Microchip's code protection feature may be a violation of the Digital Millennium Copyright Act. If such acts allow unauthorized access to your software or other copyrighted work, you may have a right to sue for relief under that Act.

Information contained in this publication regarding device applications and the like is provided only for your convenience and may be superseded by updates. It is your responsibility to ensure that your application meets with your specifications. MICROCHIP MAKES NO REPRESENTATIONS OR WARRANTIES OF ANY KIND WHETHER EXPRESS OR IMPLIED, WRITTEN OR ORAL, STATUTORY OR OTHERWISE, RELATED TO THE INFORMATION, INCLUDING BUT NOT LIMITED TO ITS CONDITION, QUALITY, PERFORMANCE, MERCHANTABILITY OR FITNESS FOR PURPOSE. Microchip disclaims all liability arising from this information and its use. Use of Microchip devices in life support and/or safety applications is entirely at the buyer's risk, and the buyer agrees to defend, indemnify and hold harmless Microchip from any and all damages, claims, suits, or expenses resulting from such use. No licenses are conveyed, implicitly or otherwise, under any Microchip intellectual property rights.

Trademarks

The Microchip name and logo, the Microchip logo, Accuron, dsPIC, KEELOQ, KEELOQ logo, microID, MPLAB, PIC, PICmicro, PICSTART, PRO MATE, PowerSmart, rPIC, and SmartShunt are registered trademarks of Microchip Technology Incorporated in the U.S.A. and other countries.


AmpLab, FilterLab, Linear Active Thermistor, Migratable Memory, MXDEV, MXLAB, PS logo, SEEVAL, SmartSensor and The Embedded Control Solutions Company are registered trademarks of Microchip Technology Incorporated in the U.S.A.

Analog-for-the-Digital Age, Application Maestro, CodeGuard, dsPICDEM, dsPICDEM.net, dsPICworks, ECAN, ECONOMONITOR, FanSense, FlexROM, fuzzyLAB, In-Circuit Serial Programming, ICSP, ICEPIC, Mindi, MiWi, MPASM, MPLAB Certified logo, MPLIB, MPLINK, PICkit, PICDEM, PICDEM.net, PICLAB, PICtail, PowerCal, PowerInfo, PowerMate, PowerTool, REAL ICE, rLAB, rfPICDEM, Select Mode, Smart Serial, SmartTel, Total Endurance, UNI/O, WiperLock and ZENA are trademarks of Microchip Technology Incorporated in the U.S.A. and other countries.

SQTP is a service mark of Microchip Technology Incorporated in the U.S.A.

All other trademarks mentioned herein are property of their respective companies.

© 2007, Microchip Technology Incorporated, Printed in the U.S.A., All Rights Reserved.

 Printed on recycled paper.

Microchip received ISO/TS-16949:2002 certification for its worldwide headquarters, design and wafer fabrication facilities in Chandler and Tempe, Arizona, Gresham, Oregon and Mountain View, California. The Company's quality system processes and procedures are for its PIC[®] MCUs and dsPIC[®] DSCs, KEELOQ[®] code hopping devices, Serial EEPROMs, microperipherals, nonvolatile memory and analog products. In addition, Microchip's quality system for the design and manufacture of development systems is ISO 9001:2000 certified.

**QUALITY MANAGEMENT SYSTEM
CERTIFIED BY DNV
== ISO/TS 16949:2002 ==**



WORLDWIDE SALES AND SERVICE

AMERICAS

Corporate Office

2355 West Chandler Blvd.
Chandler, AZ 85224-6199
Tel: 480-792-7200
Fax: 480-792-7277
Technical Support:
<http://support.microchip.com>
Web Address:
www.microchip.com

Atlanta

Duluth, GA
Tel: 678-957-9614
Fax: 678-957-1455

Boston

Westborough, MA
Tel: 774-760-0087
Fax: 774-760-0088

Chicago

Itasca, IL
Tel: 630-285-0071
Fax: 630-285-0075

Dallas

Addison, TX
Tel: 972-818-7423
Fax: 972-818-2924

Detroit

Farmington Hills, MI
Tel: 248-538-2250
Fax: 248-538-2260

Kokomo

Kokomo, IN
Tel: 765-864-8360
Fax: 765-864-8387

Los Angeles

Mission Viejo, CA
Tel: 949-462-9523
Fax: 949-462-9608

Santa Clara

Santa Clara, CA
Tel: 408-961-6444
Fax: 408-961-6445

Toronto

Mississauga, Ontario,
Canada
Tel: 905-673-0699
Fax: 905-673-6509

ASIA/PACIFIC

Asia Pacific Office

Suites 3707-14, 37th Floor
Tower 6, The Gateway
Harbour City, Kowloon
Hong Kong
Tel: 852-2401-1200
Fax: 852-2401-3431

Australia - Sydney

Tel: 61-2-9868-6733
Fax: 61-2-9868-6755

China - Beijing

Tel: 86-10-8528-2100
Fax: 86-10-8528-2104

China - Chengdu

Tel: 86-28-8665-5511
Fax: 86-28-8665-7889

China - Fuzhou

Tel: 86-591-8750-3506
Fax: 86-591-8750-3521

China - Hong Kong SAR

Tel: 852-2401-1200
Fax: 852-2401-3431

China - Qingdao

Tel: 86-532-8502-7355
Fax: 86-532-8502-7205

China - Shanghai

Tel: 86-21-5407-5533
Fax: 86-21-5407-5066

China - Shenyang

Tel: 86-24-2334-2829
Fax: 86-24-2334-2393

China - Shenzhen

Tel: 86-755-8203-2660
Fax: 86-755-8203-1760

China - Shunde

Tel: 86-757-2839-5507
Fax: 86-757-2839-5571

China - Wuhan

Tel: 86-27-5980-5300
Fax: 86-27-5980-5118

China - Xian

Tel: 86-29-8833-7250
Fax: 86-29-8833-7256

ASIA/PACIFIC

India - Bangalore

Tel: 91-80-4182-8400
Fax: 91-80-4182-8422

India - New Delhi

Tel: 91-11-4160-8631
Fax: 91-11-4160-8632

India - Pune

Tel: 91-20-2566-1512
Fax: 91-20-2566-1513

Japan - Yokohama

Tel: 81-45-471-6166
Fax: 81-45-471-6122

Korea - Gumi

Tel: 82-54-473-4301
Fax: 82-54-473-4302

Korea - Seoul

Tel: 82-2-554-7200
Fax: 82-2-558-5932 or
82-2-558-5934

Malaysia - Penang

Tel: 60-4-646-8870
Fax: 60-4-646-5086

Philippines - Manila

Tel: 63-2-634-9065
Fax: 63-2-634-9069

Singapore

Tel: 65-6334-8870
Fax: 65-6334-8850

Taiwan - Hsin Chu

Tel: 886-3-572-9526
Fax: 886-3-572-6459

Taiwan - Kaohsiung

Tel: 886-7-536-4818
Fax: 886-7-536-4803

Taiwan - Taipei

Tel: 886-2-2500-6610
Fax: 886-2-2508-0102

Thailand - Bangkok

Tel: 66-2-694-1351
Fax: 66-2-694-1350

EUROPE

Austria - Wels

Tel: 43-7242-2244-39
Fax: 43-7242-2244-393

Denmark - Copenhagen

Tel: 45-4450-2828
Fax: 45-4485-2829

France - Paris

Tel: 33-1-69-53-63-20
Fax: 33-1-69-30-90-79

Germany - Munich

Tel: 49-89-627-144-0
Fax: 49-89-627-144-44

Italy - Milan

Tel: 39-0331-742611
Fax: 39-0331-466781

Netherlands - Drunen

Tel: 31-416-690399
Fax: 31-416-690340

Spain - Madrid

Tel: 34-91-708-08-90
Fax: 34-91-708-08-91

UK - Wokingham

Tel: 44-118-921-5869
Fax: 44-118-921-5820